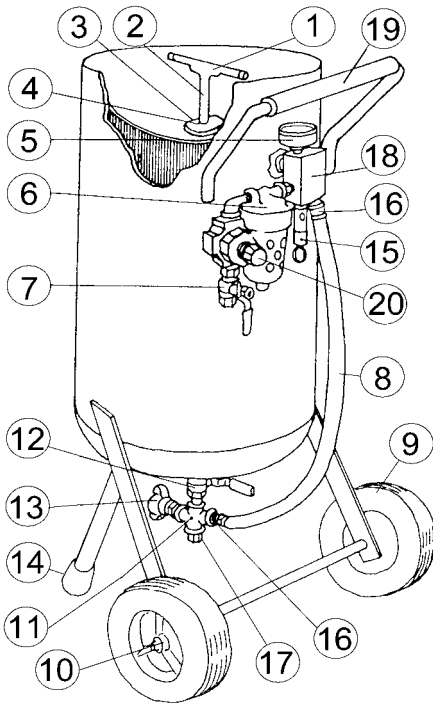


PRESSURE SAND BLASTERS - U100S AND U103S



ITEM	PART NO.	DESCRIPTION
1	10-120	T-Handle Stem Filler Valve Complete
2	10-125	T-Handle Only
3	10-121	O-Ring Gasket, Filler Plug
4	10-128	Filler Valve Plug Block
5	10-131	Heavy Duty Pressure Gauge
6	10-220	Moisture Filter (U103)
	12-220	Moisture Filter (U200, U300)
7	10-231	Air Shut Off Ball Valve 3/8"
8	11-241	Air Pressure Input Hose (U100)
	12-241	Air Pressure Input Hose (U200)
	13-241	Air Pressure Input Hose (U300)
9	11-161	Wheel, 6" Heavy Duty Industrial, U100
	12-162	Wheel, 8" Heavy Duty, 5/8" Axle, U200
	13-161	Wheel, 10" Heavy Duty, 1/2" Axle, U300
10	27-384	Wheel Cap, High Impact, 1/2" Axle
11	10-176	Cross Union Connector
12	10-171	Sand Flow Control Valve with Fitting
13	10-180	Tank Coupling, QC, Male, 1/2"
14	10-168	Leg Support Ferrule
15	10-251	Pressure Release Valve (140 PSI)
16	10-245	Hose Clamp, 1&1/8"
17	10-173	Drain Plug, Square Head
18	12-601	Air Manifold Distributor Block
19	10-115	Handle Cover, Rubber

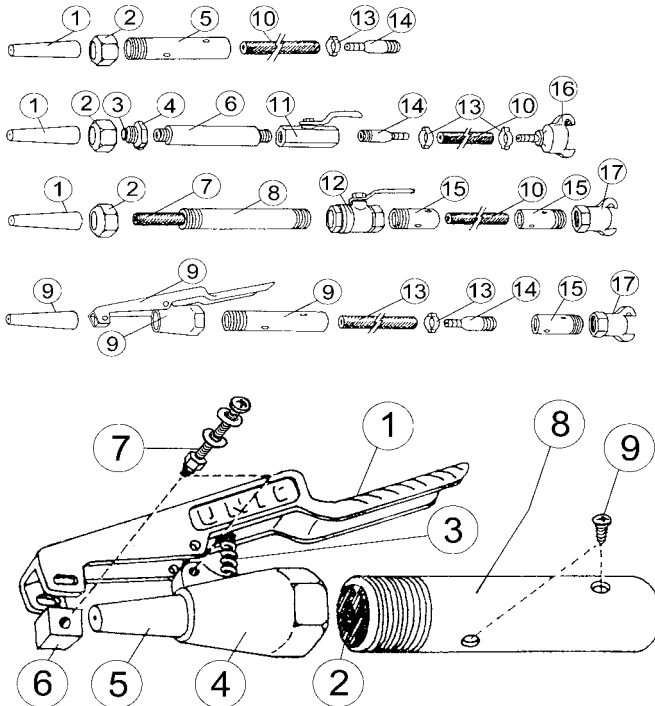
PRESSURE SAND BLASTERS - U100 SERIES

REPLACEMENT HOSE ASSEMBLIES

PART NUMBER	10-150	10-151	10-152	10-153	10-154	10-155	10-156
HOSE LENGTH (FT)	8	10	15	20	10	15	20
CONNECTORS	THREADED	QUICK	QUICK	QUICK	QUICK	QUICK	QUICK
NOZZLE END ON/OFF CONTROL	NONE	1/2" STEEL	1" BRASS	1" BRASS	U5000*	U5000*	U5000*
MODEL	U100-0/S**	U103-0	U200/300-0	U200/300-0	U200/300-S	U200/300-S	U200/300-S

*Also called "Safety Blast Hand Control", "dead man switch" or "squeezer gun".

**For U100-S model, add U5000 Safety Shut Off



ITEM PART NO. DESCRIPTION

	UBN100-0	Blast Nozzle Assembly, U100
	UBN103-0	Blast Nozzle Assembly, U103
	UBN300-0	Blast Nozzle Assembly, U300
1	10-260	Ceramic Nozzles (see below)
2	10-501	Nozzle Retainer Nut
3	10-516	Bushing, Rubber, Short
4	10-511	Reducer Holding Nut
5	50-401	Handle Tube, Plated
6	10-420	Handle Tube, Plastic Cover
7	10-517	Bushing, Rubber, Long
8	10-431	Handle Tube, Threaded
9	U5000	Safety Shut Off (Hand Control)*
10	10-159	Hose per Foot, 1/2"ID/1"OD
11	10-230	On/Off Control, 1/2" Carbon Steel
12	10-233	On/Off Control, 1" Brass
13	10-246	Hose Clamp, Crimp Type, 1/2"
14	10-281	Hose Connector, Male, Barb
15	10-287	Hose Connector, Female, Tube
16	10-182	Quick Connect, Male, 1/2"
17	10-184	Quick Connect, Female

ITEM PART NO. DESCRIPTION

	U5000	Safety Shut Off, Complete
1	50-101	Lever Handle
2	50-501	Seal Washer
3	50-301	Return Spring
4	50-201	Retainer Nut
5		Ceramic Nozzles (see below)
6	50-002	Seal Block
7	50-590	Bolt, Nut and Washer Assy
8	50-401	Handle Tube, Plated
9	50-411	Hose Retention Screws (4)

EXTENSION HOSES

PART NO.	LENGTH	CONNECT
10-157	10'	QUICK
10-158	20'	QUICK
10-159	ANY	NONE

CERAMIC NOZZLES

PART NO.	ID (")	CFM @ 125 psi
#1 - 10-263	3/32	10
#1 - 10-260†	1/8	28
#1 - 10-264	5/32	47
#1 - 10-261	3/16	70
#1 - 10-262	1/4	125
#1 - 10-265	5/16	187
#2 - 10-270	1/8	28

†Standard size shipped with new equipment

HOODS and LENSES

PART NO.	DESCRIPTION
10-300	Cotton hood with 4 lens
10-301	Cotton hood, 4 lens, h. hat
10-305	Lens for hood, 5x6.5", one
10-306	Lens, 5x6.5", Pkg of 10
10-400	Vinyl hood with back vent
10-401	Lens, single, 8.75x7.5"

TUNGSTEN CARBIDE NOZZLES

PART NO.	DESCRIPTION and ID (")
10-020S	Short Nozzle, 1/8
10-030S	Short Nozzle, 3/16
10-040	Long Nozzle, 1/4
10-040S	Short Nozzle, 1/4