



USER MANUAL

UM80 SERIES (UM80W, UM80WA & UM80WF)

WALL MOUNT SPRAY GUN CLEANERS FOR WATERBORNE PAINTS

CAUTION

FOR WATER BORNE PAINTS ONLY

**THIS UNIT IS NOT DESIGNED
FOR USE WITH SOLVENT BASED PAINT**

UNI-RAM CORPORATION • ONTARIO • CANADA

CONTENTS

INTRODUCTION	3
SETUP	
INSPECTION	3
PLACEMENT AND AIR SUPPLY	3
PAIL SETUP and ADDITION OF UNI-RAM AQUA-KLEEN	3-4
CLEANING SPRAY GUNS.....	4
FLOCCULATION	4
PICTURES	5
TROUBLESHOOTING PROCEDURES.....	6
TROUBLESHOOTING CHART	7
FLOW DIAGRAMS.....	8-9
REPLACEMENT PARTS	10
WARRANTY.....	11

INTRODUCTION

Uni-ram holds many patents on designs used in its innovative products. Every machine is tested for compliance with Quality Assurance standards. Follow the directions in this manual under Setup, Operation and Maintenance in order to operate this machine safely and effectively. Not following these instructions can lead to malfunction or damage to the machine. Follow directions under the section below, Cautions and Warnings and on labels attached to the machine. Ensure that the manual is readily available to the operator at all times. If you have any questions about the operation of this machine, call your distributor or a Uni-ram Service Engineer:

North America: Uni-ram Technical Service 1-800-417- 9133

Other Continents: Contact Your Supplier

SETUP

INSPECTION

- Report any transport damage immediately to the carrier and your vendor. Initiate a freight claim with the carrier. The manufacturer is not responsible for freight damage.
- Accessories:
 - Manual
 - Air Blow Gun
 - Whip Air Line with Coupler
 - Coag-Kleen FP, flocculant granules (WF Model only)
 - Aqua-Kleen Cleaner

PLACEMENT AND AIR SUPPLY

- Mount the cleaning unit to a wall (hardware not included) in a Spray Booth or another convenient location in the shop.
- Remove the cover on the "Air Input" (right side of machine) and attach an air supply adapter (not supplied).
- Attach the Whip Air Line Coupler (left side of machine) to your spray gun using a quick connect fitting (not supplied) on the Spray Gun.
- Remove the Air Blow Gun from the accessories bag and place it onto the bracket on the right side of the unit. Connect the air supply tube (blue) to the Air Blow Gun Fitting by inserting the tube. To disconnect the tube, push down on the collar and pull the tube out.
- WF Model only: make sure the valve for the Flocculation Drain is in the closed position (horizontal).
- Make sure the Brush Valve is in the closed (horizontal) position. The valve is located on the front of the WF Model and on the right side of the W and WA Models.

The air supply pressure must be set to 60 PSI maximum and the air must be free from contaminants such as water, dust, rust, tar, grease etc.

To prevent damage to the Diaphragm Pump an internal Air Pressure Regulator has been installed to limit the air pressure. Do not install a second air pressure regulator or use a pressure set below 60 PSI.

PAIL SETUP and ADDITION OF UNI-RAM AQUA-KLEEN

Aqua-Kleen is a state-of-the-art cleaning additive with an enhanced corrosion inhibitor for optimal protection of spray guns.

UM80W / UM80WA

Two bottle-type pails are included with the unit.

- Fill one container with clean water and add half of a bottle of Uni-ram Aqua Kleen
- Insert the suction tube (thin) into this container.
- Insert the drain tube (thick) into the other, empty, container.
- Place both containers under the unit.

UM80WF

- Move the Drain Valve handle to the "closed" (horizontal) position if it is not already there.
- Move the pail outside the unit. Remove the two filters. Pour half of a bottle of Uni-ram Aqua Kleen into the pail and add tap water until the combined liquid level reaches the bottom of the filter holder. Replace filter.
- Insert the manual wash suction tube into the pail between the Filter Holder and the wall of the pail. Move the pail into the cabinet.

CLEANING SPRAY GUNS

- Connect the spray gun to the whip air line or leave it connected to the main air supply line.
- To clean the paint channel, press the opening of the paint channel against the Cleaning Nozzle, squeeze the trigger, then press and HOLD the "Press To Clean Button". Hold the gun and Button in this position for about 15 seconds while moving the gun up and down on the nozzle several times to improve the cleaning of the paint channel opening. Release the Button.
- Clean the Cap by rubbing it on the Flat Brush mounted on the inside of the tank.
- If necessary, clean the exterior of the gun with the Flow-through brush. Activate the flow of water through the Brush by turning the Brush Control Lever to the "OPEN BRUSH" position. When finished, turn it to the "CLOSE" position.
- Use the Air Blow Gun to dry the outside of the spray gun.
- To dry the paint channel, squeeze the spray gun trigger.
- To adjust the flow of water through the Brush or Nozzle, use the individual controls on the right side. The controls are pre-set at the factory - change only if necessary. To increase the flow, back off the outer nut. To decrease the flow, tighten this nut inwards. Adjust the inner nut to lock the outer one in place.

CAUTION: MAKE SURE THE GUNS ARE COMPLETELY DRY AFTER USE

FLOCCULATION (WF Model Only)

The dirty water from cleaning accumulates in the flocculation reservoir during use. When the Wash Pail is empty follow these steps to treat the water for re-use:

- Remove the Screen at the bottom of the work area and sprinkle 1 full scoop of the flocculant, COAG-KLEEN, evenly over the dirty water. Replace the screen and turn the Flocculation Timer fully to the 5 minute position. When the Timer is finished wait one minute and then turn the timer a second time to the one minute mark. Note: As the flocculation proceeds, the water should become clear. The debris consisting of paint absorbed into the flocculant will collect in the filters during the next step.
- To allow the water-flocculant mixture to flow into filters, open the Flocculation Drain valve.
- Clean the tank with the Brush which is activated by moving the Lever to the OPEN (vertical) position. Move to CLOSE position (horizontal) after use.
- Close the Flocculation Drain valve (horizontal position).
- Ensure that the Air Agitator in the bottom of the tank lies flat.
- Leave the two filters containing the debris in place until the next day to allow for them to dry thoroughly. When the debris is dry, it should have an "oatmeal like" consistency. The debris can now be disposed of according to local environmental regulations.
- If the filtered water is not clean, see the Troubleshooting section.
- The treated water can be reused until it becomes "silky" to the touch and then it should be disposed of according to local environmental regulations. When adding fresh water, refill until the water reaches the bottom of the filter holder.

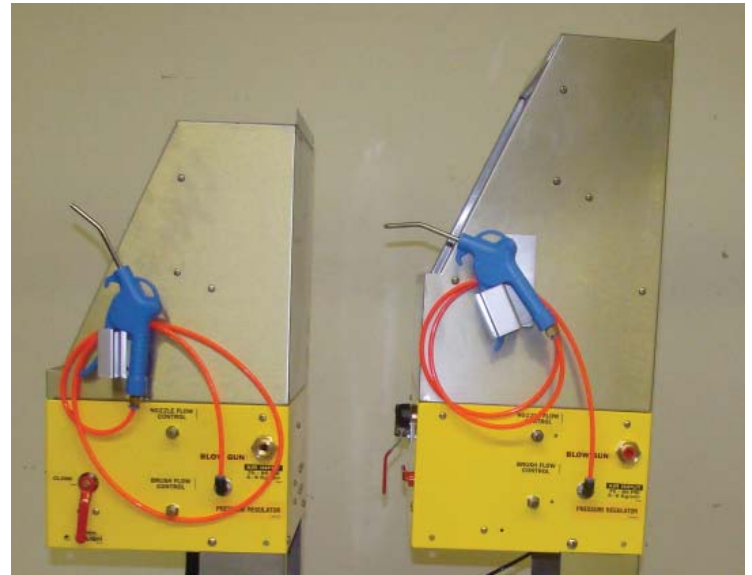


UM80W / UM80WA

UM80WF

UM80W / UM80WA

UM80WF



UM80W / UM80WA

UM80WF



UM80WA HAS ADDITIONAL
AIR OUTLET FOR EXTERNAL
FLOCCULATION

TROUBLESHOOTING PROCEDURES

Note: Pumps shown are 4" Pumps; follow same procedures for 2" Pumps.

PROCEDURE 1

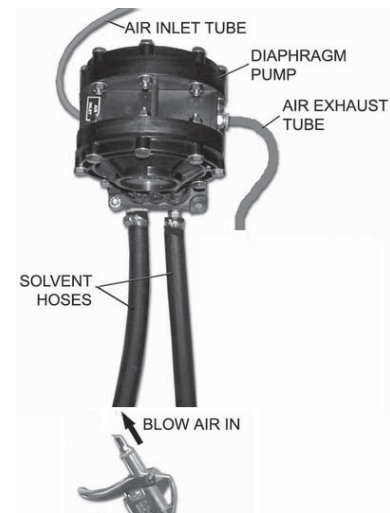
Blocked Fluid Passage In Diaphragm Pump

If the pump sounds like it is working but liquid does not flow, clear the fluid passage as follows:

- Remove suction tube from the pail and blow air at 60 PSI into the INLET Sovent Hose (see diagram). Step on foot pedal. This procedure may have to be repeated several times. If this procedure does not help, blow some water into the suction hose using a spray gun, wait one minute and step on foot pedal. This procedure may have to be repeated several times. If this procedure does not work, the pump must be replaced.

If you need to replace the pump call your local dealer. The warranty on the diaphragm pump is two years from date of purchase.

This procedure will also clear a blockage in the fluid line for the wash gun.

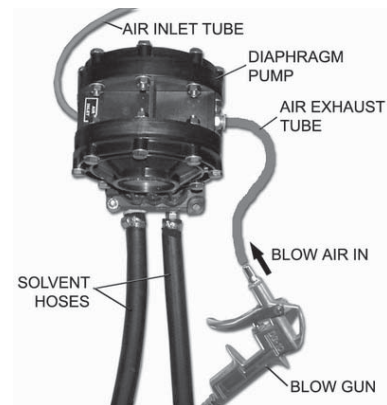


PROCEDURE 2

Blocked Air Passage In Diaphragm Pump

If there is a steady hissing sound and the pump is not cycling, the spool valve has stalled due to a blocked air passage. Follow the procedure below to clear the blockage.

- Connect a blow gun to an 60 PSI source. Locate the blue hose that extends from the air exhaust port of the diaphragm pump. Use a blow gun to blow air into the open end of this hose. Turn timer. If the procedure is successful, the pump will start working. The procedure may have to be repeated several times. If this procedure does not work, replace the pump.
- Cause:** Contaminants in the air supply (water, oil, solid particles etc)
- Preventative Action:** If necessary, install an Airline (Moisture) Filter.



PROCEDURE 3

Blocked Passage in Air Line

The components in the air line are the **diaphragm pump, air valve and regulator.**

To troubleshoot a component:

- 1) Disconnect the air line to the component using the quick disconnect.
- 2) Step on foot pedal and check for presence of positive air pressure in the air line. If there is ample positive air pressure, replace the component.

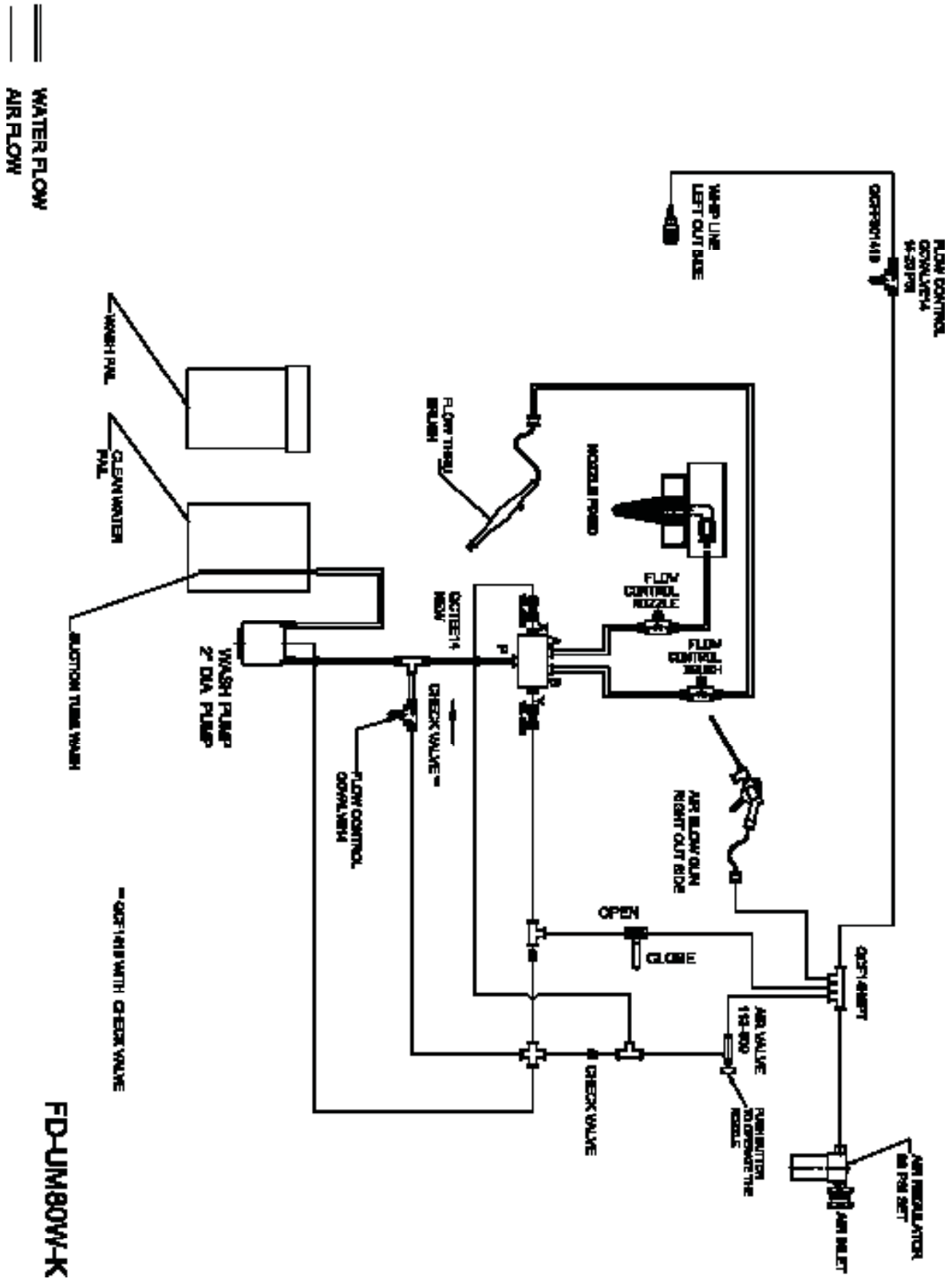
If air pressure is absent, there is a faulty component upstream. Reconnect the air line and check the operation of the next component upstream by following steps 1 and 2 above.

TROUBLESHOOTING CHART

SYMPTOM	REASON	ACTION
WASH WATER DOES NOT FLOW AND PUMP MAKES A HISSING NOISE	<ul style="list-style-type: none"> • Wash pail empty • Water in air line causes pump to stall 	<ul style="list-style-type: none"> • Check wash level • Follow Procedure 1, Blockage in Air Passage in Diaphragm Pump
WASH WATER DOES NOT FLOW AND PUMP DOES NOT MAKE A NOISE	<ul style="list-style-type: none"> • Blockage in air passage • Pump leaks 	<ul style="list-style-type: none"> • Follow Procedure 2, Blocked Passage in Air Line • Replace air valve
WASH LIQUID DOES NOT FLOW, PUMP DOES NOT MAKE A NOISE	Pump leaks	Replace pump
	Blockage in air passage	Follow Procedure 3, "Blocked Passage in Air Line".
FILTERED WATER IS NOT CLEAN	Not enough flocculant	Do filtering procedure again. Add 1-2 extra spoonfuls of flocculant.
	Not enough agitation	Ensure that the Agitator is flat on the bottom of the tank and the air pressure to the unit is at least 40 PSI. Do filtering procedure again including adding flocculant.
	Filter needs to be replaced	Replace filter.
FILTERED WATER HAS A "SILKY" FEEL	Filtered water has been used too often	Dispose of filtered water.
	Too much flocculant has been added	Reduce the amount of flocculant added next time.

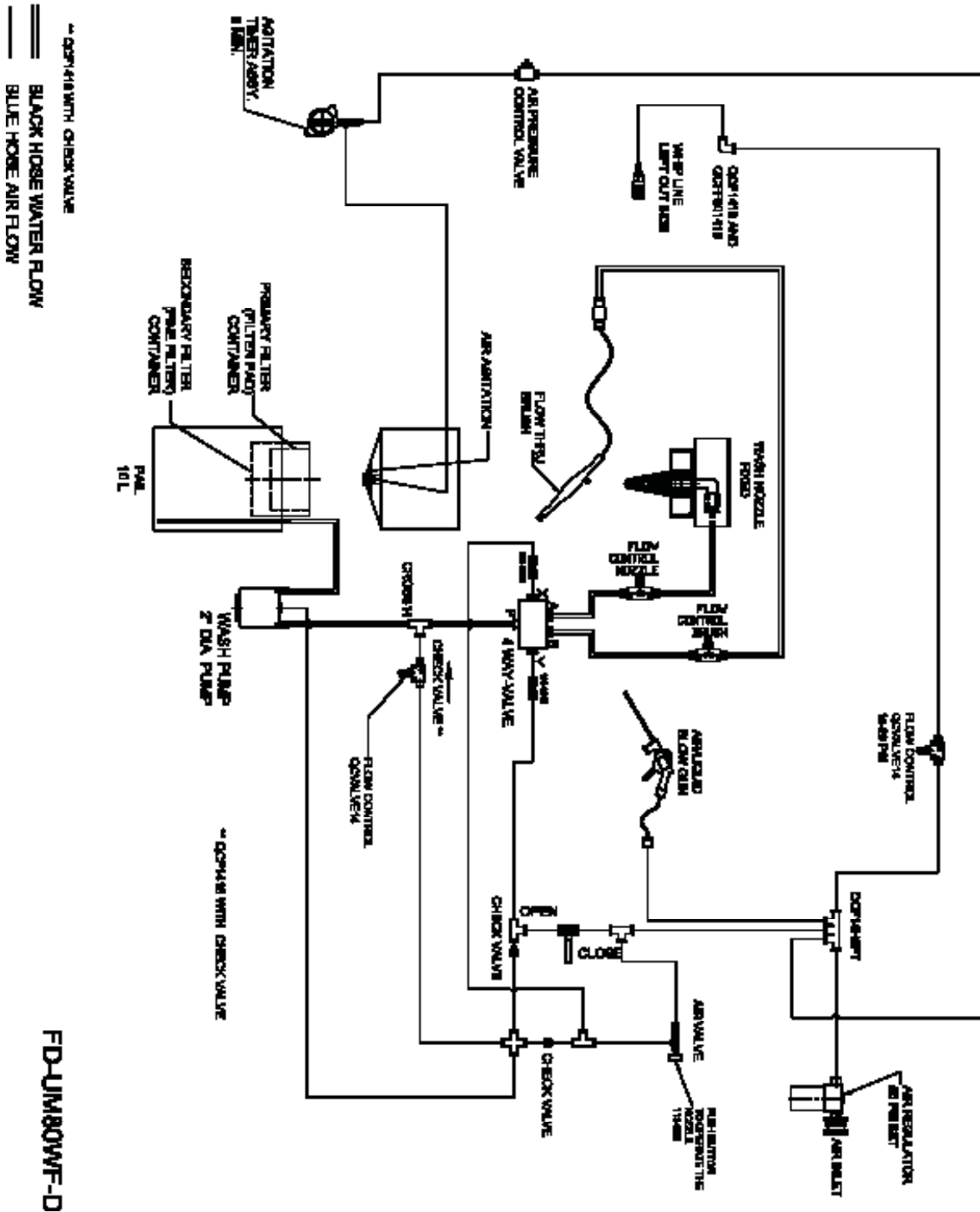
FLOW DIAGRAM - UM80W (WA Model not shown)

Use the diagram to trace the flow of compressed air and water.



FLOW DIAGRAM - UM80WF

Use the diagram to trace the flow of compressed air and water.



REPLACEMENT PARTS

DESCRIPTION	PART NUMBER
AIR BLOW GUN	102-7010
DIAPHRAGM PUMP	UDP2TA
AQUA-KLEEN PAINT GUN CLEANER	102-8200
COAG-KLEEN FLOCCULANT	102-8300
FILTER BAG, PRIMARY	102-8125
FILTER BAG, SECONDARY	102-8126
FILTER HOLDER	102-8120
WASH PAIL FOR UM80WF	103-8111P
PAIL, BOTTLE TYPE, FOR UM80W	103-8111B
WASH SCREEN	102-3030
WHIP LINE	102-3980
FLOW-THROUGH BRUSH + HOSE & FITTINGS	144-390



Full Product Warranty

These Uni-ram products have been engineered and manufactured to high performance standards. Each unit has been subjected to detailed factory testing before shipment.

This product comes with a one-year full warranty from the date of purchase. Uni-ram Corporation reserves the right to repair or replace the unit, free of charge, to the original purchaser if a part is found to be defective in material or workmanship as determined by factory service personnel. The items listed below under "Conditions of Warranty" as consumables are not covered.

Uni-ram reserves the right to direct the customer to ship the unit collect to the Uni-ram factory or to an approved Service Center for repair using the Uni-ram Return Goods Procedure or to repair the unit on-site. To prevent damage in transport, the purchaser must ship the unit in the original packaging or use alternate adequate packaging. All units must be **shipped clean and dry**.

Diaphragm Pump:

We are pleased to advise that the warranty on the diaphragm pump, the heart of the spray gun cleaner, comes with a 2 year replacement warranty. If, in the unlikely event your diaphragm pump fails during the first two years of service, call Uni-ram Service at 1-800-417-9133. We will send you a new pump free of charge and arrange for the return of your original pump.

Conditions of Warranty:

As Uni-ram Corporation has no control over the working conditions or circumstances under which the purchaser stores, handles or uses the product, Uni-ram makes no warranty or claim, either expressed or implied with respect to this product's fitness for any purpose or the result to be obtained from its use. This condition applies to the sale of all products and no representative or distributor of Uni-ram Corporation has the authority to waive or change these conditions.

This warranty applies only to the original purchaser and does not apply if the unit has been misused, overloaded, neglected, altered or used for any purpose other than those specified in the operating and installation instructions. Deterioration due to normal wear is not covered by this warranty. Damage due to accident, transportation, fire, floods or acts of God is also not covered. Units whose serial numbers have been altered or removed are not covered. The warranty is invalid if unauthorized chemicals or solvents with acid content are used in this unit. Unauthorized attempts at self-repair or alterations by the owner also invalidate this warranty. Interior or exterior finishes are not covered by this warranty.

Consumable Items are not covered by this warranty.

This warranty replaces all other warranties expressed or implied by statute or otherwise.

To make a claim, call Uni-ram Service at 1-800-417-9133 and quote the serial number of the unit.