

USER MANUAL

UTC920



UNI-RAM CORPORATION • ONTARIO • CANADA

Revision 2009-02

CONTENTS

INTRODUCTION 3

CAUTIONS AND WARNINGS 3

SPECIFICATIONS 3

PREPARATION AND SETUP 4

INSTALLING TWINE 4

OPERATION..... 5-6

MAINTENANCE 6

FLOW DIAGRAM 7

REPLACEMENT PARTS LIST 8

WARRANTY 9

INTRODUCTION

Uni-ram holds many patents on designs used in its innovative products. Every machine is tested for compliance with Quality Assurance standards. Follow the instructions on preparation, use and operation to operate this machine safely and effectively. Ensure that this manual is readily available to the operator at all times. If you have any questions about the operation of this machine, contact:

North America:
Uni-ram Technical Service
1-800-417- 9133
Other Continents:
Contact Your Supplier

CAUTIONS AND WARNINGS

- This is a very heavy piece of equipment and must be handled with care to avoid accident or injury. All possible precautions must be exercised so that the unit does not fall, tip or adversely move to ensure maximum safety during transportation, unpacking, installation, operation and service.
- Some items, such as pails, have a reinforced construction and cannot be fully crushed by the UTC920. For maximum crushing power a supply pressure of 120 PSI is recommended.
- Do not use this equipment to compact any item that may explode when compacted or produce toxic substances.
- Use the machine for its intended use only.
- Use the brake to lock the wheel of all four-swivel casters.
- Do not overload the machine. Exceeding the recommended compressed bale height may cause damage to the cylinder.
- The Serial Number label is permanently fixed to the back of this equipment. Vital information such as Serial Number, Model Number, Electric Ratings, etc. are clearly marked on the label.
- Make sure that all markings and labels are not damaged or soiled and are clearly legible.
- Disconnect the air supply before performing any repairs or servicing the unit.
- Always keep the main control lever in "NEUTRAL" when either door is open.

SPECIFICATIONS

MODEL	UTC920
POWER SOURCE	COMPRESSED AIR @ 120 PSI
ITEMS CRUSHED	PAPER, TRASH, CANS AND PAILS
TRASH COMPACTION COMPARTMENT	4.75 ft ³ (0.13 m ³)
COMPACTED TRASH BALE SIZE	40 TO 50 lb (18 TO 23 kg)
AIR CYLINDER	6.3" (160mm) ID, DOUBLE ACTING, 16" (406mm) STROKE
MOBILITY	FOUR HEAVY DUTY SWIVEL CASTERS, TWO WITH BRAKES
COMPACTING FORCE	4,650 lb (2,100 kg) AT 150 PSI (10.4 kg/cm ²)
CONTROL SYSTEM	CONTROL BOX, MANUAL CONTROL, DUAL 3-WAY VALVES
CONSTRUCTION	HEAVY GAGE STEEL, DURABLE POWDER PAINT
ASSEMBLY	FULLY ASSEMBLED, READY TO USE
SHIPPING DIMENSIONS (WDH)	32 X 28 X 58" (81 X 71 X 147 cm)
WEIGHT (LB / KG)	450 / 205

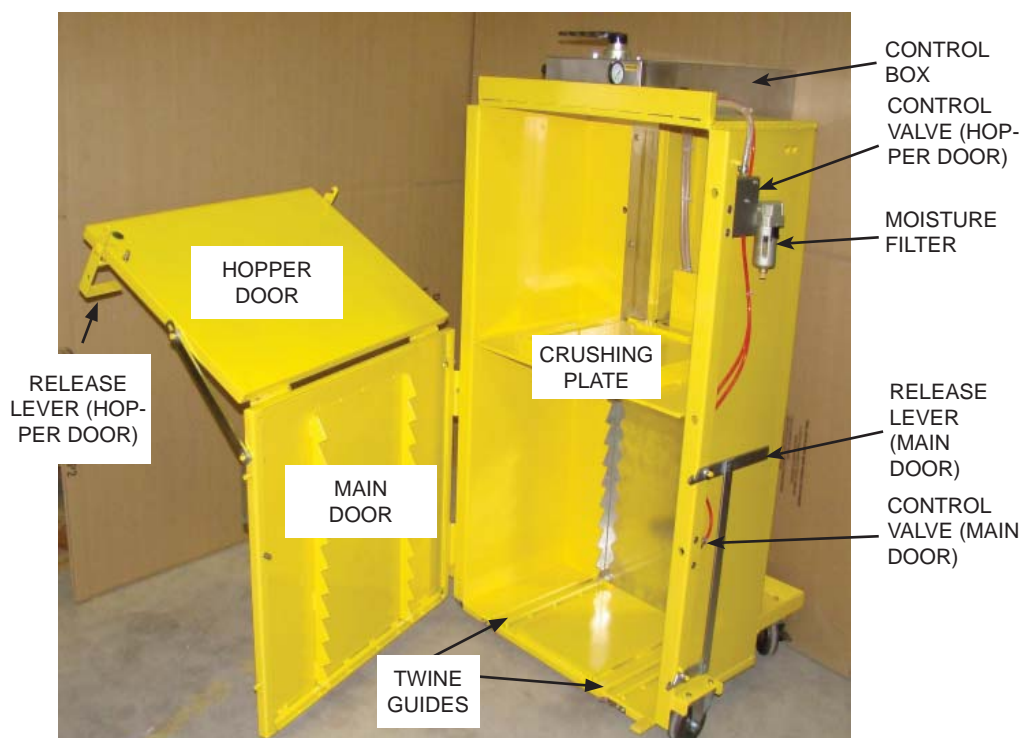
PREPARATION AND SETUP

- Unpack the shipping crate and check the unit for any sign of transport damage. The manufacturer is not responsible for shipping damage. If damage has occurred, the receiver should file a claim with the carrier.
- This manual is a very important document. Carefully read this manual before operating this equipment. Keep this manual close at hand so that it is readily available as required.
- Unlock the brakes on two rear wheels by pulling the Brake Lever upward and move the unit to a convenient place in your area of work.
- Lock the brakes by pushing the Brake Lever down with your foot. This will prevent the machine from shifting during operation.
- Connect the air supply to the Air Inlet Connector (1/4" NPT male) and turn the air on.
- Place the two boxes of Uni-ram Twine (supplied) or equivalent on the Twine Holder Shelf at the rear of the machine.

INSTALLING TWINE

- Open both doors:
 1. To open the Hopper Door, first release it with the Hopper Door Release Lever.
 2. Pull the Hopper Door open with the Hopper Door Handle, allowing it to bend forward.
 3. To open the Main Door, first release it by lifting the Main Door Lock Handle.
 4. Pull the Main Door open with the Main Door Handle.
- Install the twine:
 1. Insert twine through both holes in the back wall of the Hopper section.
 2. Pull the two lengths of twine down behind the Crushing Plate and place in the Twine Guides on the floor of the Main section.
 3. Extend twine out by about three feet.
- Firmly push the Main Door closed until it locks in place.

The unit is now ready for use.





MAIN CONTROL LEVER LEFT
CRUSHING PLATE
MOVING DOWN

- DURING & AFTER TRASH COMPACTION
- BEFORE CAN / PAIL CRUSHING



MAIN CONTROL LEVER RIGHT
CRUSHING PLATE
MOVING UP

- DURING & AFTER CAN / PAIL CRUSHING
- BEFORE TRASH COMPACTION

OPERATION

***** CAUTION *****

ALWAYS KEEP THE MAIN CONTROL LEVER IN "NEUTRAL" WHEN EITHER DOOR IS OPEN

COMPACTING PAPER AND TRASH

1. Move Main Control Lever to the "**RIGHT**" position - Crushing Plate moves to the "**UP**" position.
2. Put Main Control Lever in "**NEUTRAL**". Open the Hopper Door by pushing down on the Release Lever and then pulling the Hopper open using the Handle.
3. Throw in paper and other trash to be compacted.
4. Push the the Hopper Door firmly closed and move the Main Control Lever to the "**LEFT**" position. The Crushing Plate moves downward to compact the trash. When the Plate is in the "**DOWN**" position, the sound of the exhaust air will stop. The compacting cycle has been completed. It will take about 10-30 sec depending on the air pressure, the amount of trash loaded, etc.
5. Repeat the steps above until the hopper is full. The compacted bale is now ready for tying and removal.

TYING AND UNLOADING COMPACTED TRASH

1. Move Main Control Lever to the "**RIGHT**" - Crushing Plate moves to the "**UP**" position.
2. Put Main Control Lever in "**NEUTRAL**". First open the Hopper Door. then open the Main Door by lifting up on the Main Door Release Lever and pull on the Main Door Handle to open the Door.
3. Pull out both ends of the twine toward the front and cut the twine to the required length to tie the compressed bale bundle firmly.
4. Tie the bale while holding it in place. First lower the plate by moving the Main Control Lever to the "**LEFT**" position. then tie the bale.
5. Raise the plate by moving the Main Control Lever to the "**RIGHT**", remove the compacted bale and close the Main Door. The unit is now ready for another load of trash.

NOTE: WHEN THE DOORS ARE OPEN, THE AIR SUPPLY TO THE CRUSHING PLATE IS REDUCED SO THAT IT MOVES SLOWLY, FOR SAFETY.

IT MAY ALSO SHUDDER OR MOVE SPORADICALLY. THIS IS NORMAL.



MAIN CONTROL LEVER LEFT
CRUSHING PLATE
MOVING DOWN

- DURING & AFTER TRASH COMPACTION
- BEFORE CAN / PAIL CRUSHING



MAIN CONTROL LEVER RIGHT
CRUSHING PLATE
MOVING UP

- DURING & AFTER CAN / PAIL CRUSHING
- BEFORE TRASH COMPACTION

COMPACTING CANS AND PAILS

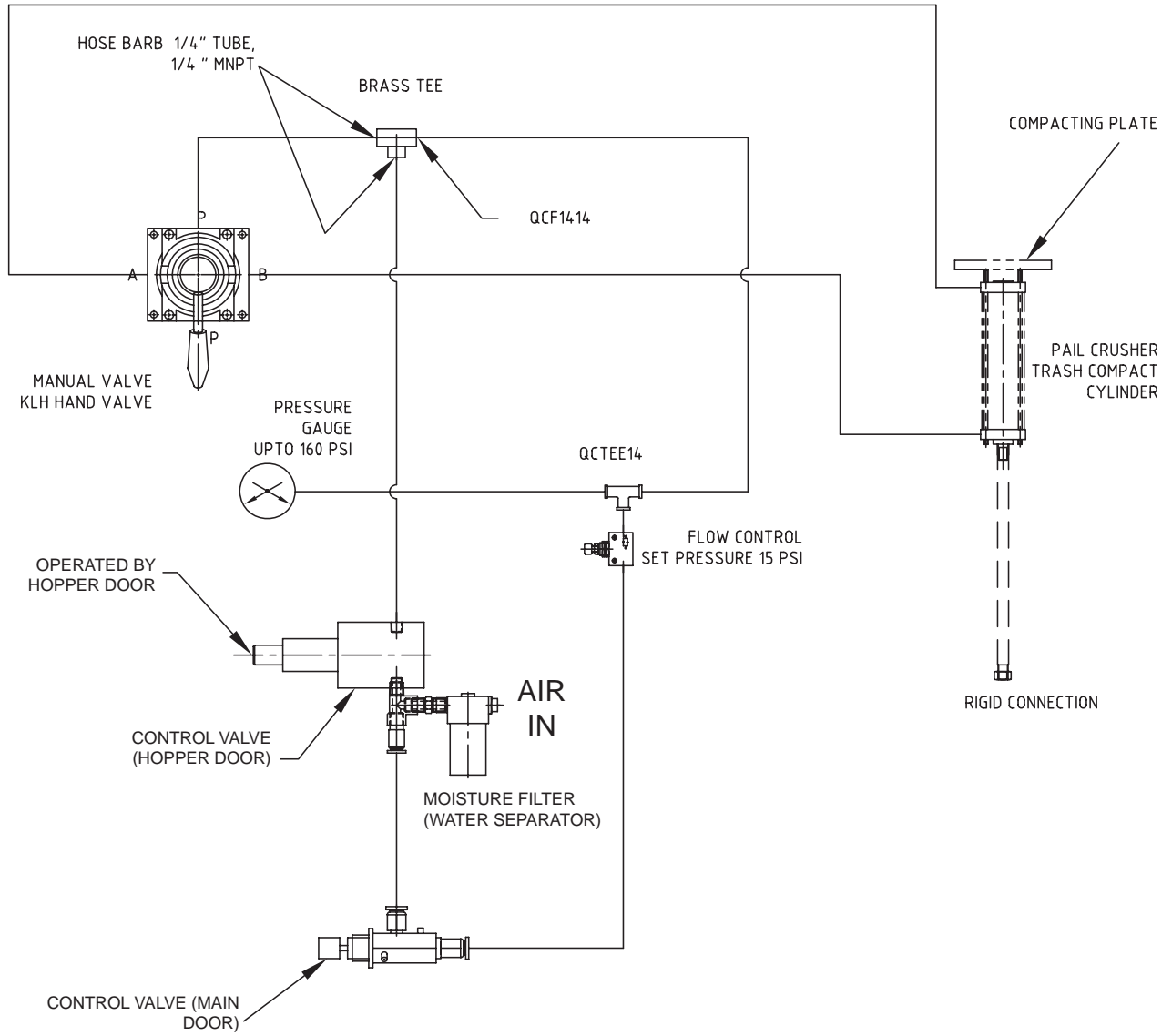
1. Make sure both Doors are closed. Move the Main Control Lever to the “**LEFT**” position. The Crushing Plate moves to the “**DOWN**” position
2. Put Main Control Lever in “**NEUTRAL**”. Open the Hopper Door by pushing down on the Release Lever and then pulling the Hopper open using the Handle.
3. Place the can or pail on top of the Crushing Plate.
4. Push the the Hopper Door firmly closed and move the Main Control Lever to the “**RIGHT**” position. The Crushing Plate moves upward, crushing the can or pail. When the Plate is fully in the “**UP**” position and the can or pail has been crushed, the sound of the exhaust air will stop. The crushing cycle has been completed. Crushing may take up to 30 sec depending on the air pressure and construction of the can or pail.
5. Move the Main Control Lever to the “**LEFT**” position. The Plate will move down. After the sound of the exhaust air stops, wait about 10 sec, then put Main Control Lever in “**NEUTRAL**” and open the Hopper Door.

The compacted can or pail is now ready for removal.

MAINTENANCE

1. To avoid damage to the Control Valve, drain the water separator (Moisture Filter) daily.
2. All moving parts and the friction surfaces such as door hinges, door lock mechanism, loading hopper hinge, etc. must be lubricated as required to prevent excessive wear and tear as well as unpleasant noise.
3. For longer life and smooth operation of the air cylinder, check the compressed air supply to make sure it is clean and dry.

FLOW DIAGRAM



REPLACEMENT PARTS

DESCRIPTION	PART NO.
CONTROL BOX	80-5100
SAFETY VALVE (MAIN DOOR)	114-800UTC
MOISTURE FILTER (WATER SEPARATOR)	10-220
TWINE	TWN-2500

Full Product Warranty

This product has been engineered and manufactured to high performance standards. Each unit has been subjected to detailed factory testing before shipment.

This product comes with a one-year full warranty from the date of purchase. Uni-ram Corporation reserves the right to repair or replace the unit, free of charge, to the original purchaser if a part is found to be defective in material or workmanship as determined by factory service personnel. The items listed below under "Conditions of Warranty" as consumables are not covered.

Uni-ram reserves the right to direct the customer to ship the unit collect to the Uni-ram factory or to an approved Service Center for repair using the Uni-ram Return Goods Procedure or to repair the unit on-site. To prevent damage in transport, the purchaser must ship the unit in the original packaging or use alternate adequate packaging. All units must be shipped clean and free of liquids.

Conditions of Warranty:

As Uni-ram Corporation has no control over the working conditions or circumstances under which the purchaser stores, handles or uses the product, Uni-ram makes no warranty or claim, either expressed or implied with respect to this product's fitness for any purpose or the result to be obtained from its use. This condition applies to the sale of all products and no representative or distributor of Uni-ram Corporation has the authority to waive or change these conditions.

This warranty applies only to the original purchaser and does not apply if the unit has been misused, overloaded, neglected, altered or used for any purpose other than those specified in the operating and installation instructions. Deterioration due to normal wear is not covered by this warranty. Damage due to accident, transportation, fire, floods or acts of God is also not covered. Units whose serial numbers have been altered or removed are not covered. The warranty is invalid if unauthorized abrasives are used in this unit. Unauthorized attempts at self-repair or alterations by the owner also invalidate this warranty. Interior or exterior finishes are not covered by this warranty.

Consumable Items are not covered by this warranty.

This warranty replaces all other warranties expressed or implied by statute or otherwise.

To make a claim, call Uni-ram Service at 1-800-417-9133 and quote the serial number of the unit.