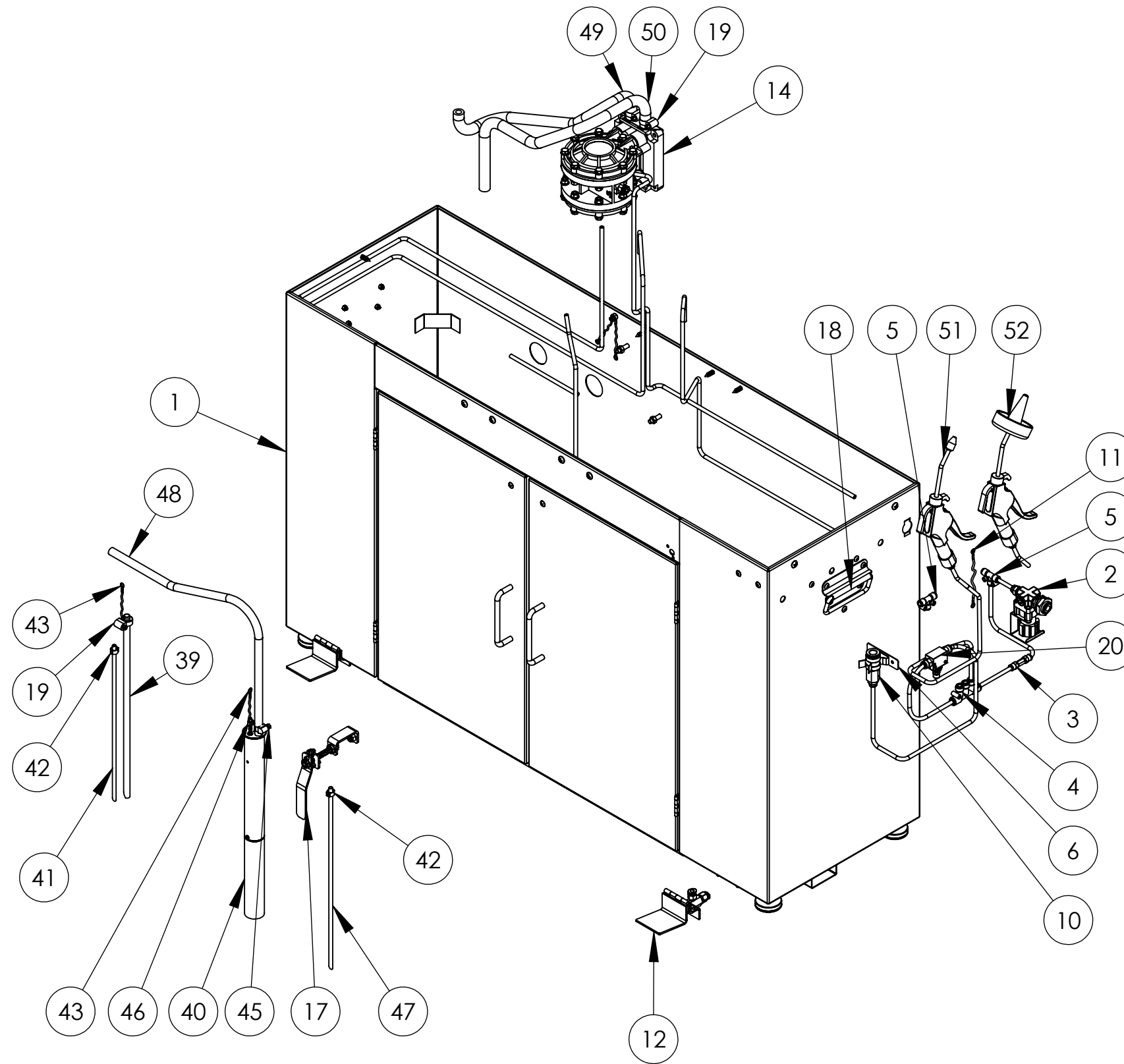


BOM Table of UG5000W

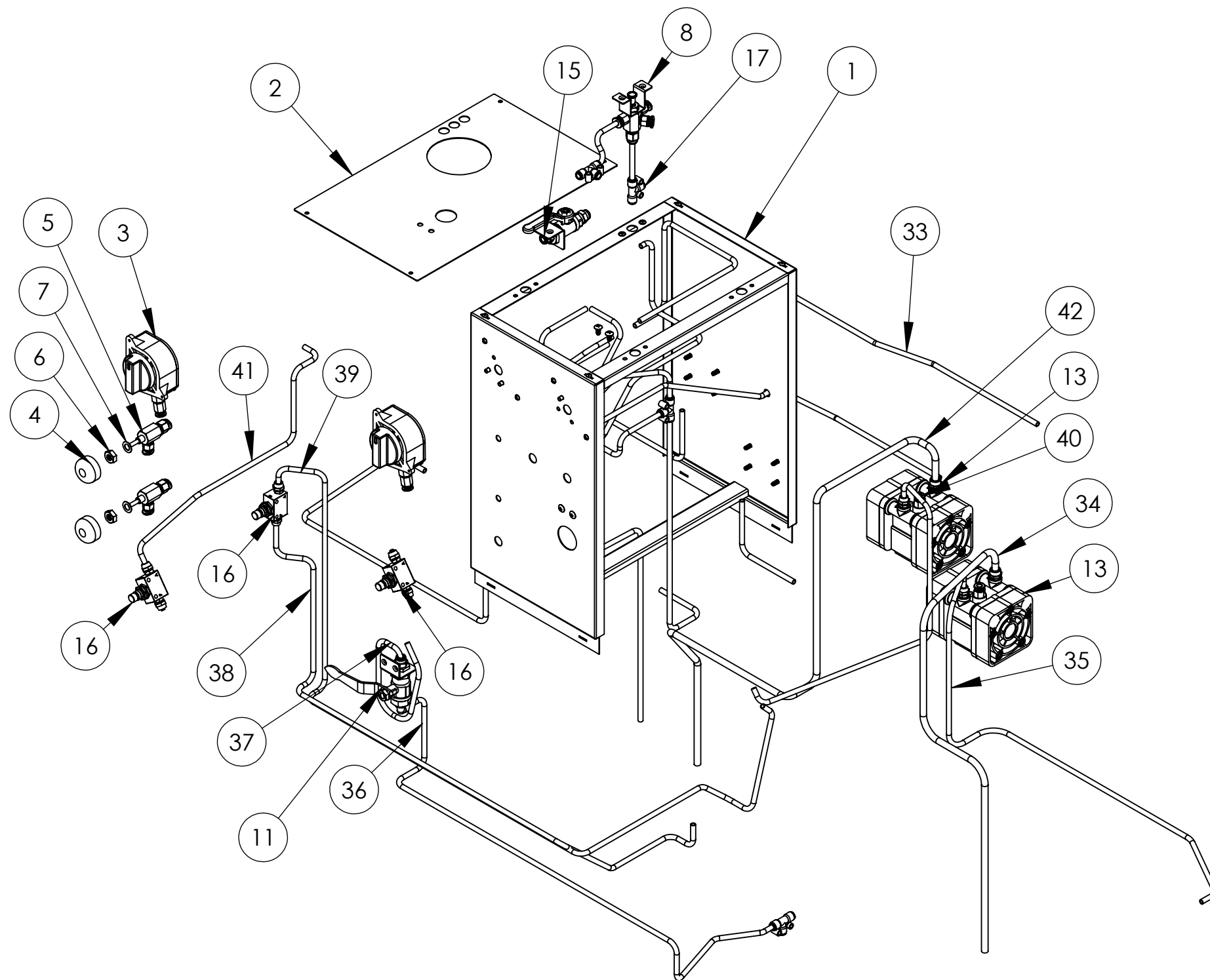
ITEM NO.	PartNo	DESCRIPTION	QTY.
1	150-6000	CABINET	1
2	150-4000WA	CENTER BOX ASSEMBLY	1
3	150-2200	UG5000 SOLVENT TANK ASSY	1
4	150-2100	WATER TANK ASSEMBLY	1
5	102-8100	PAIL WITH FILTER ASSEMBLY	1
6	150-8000RT	RECTANGLE PAIL SET, FOR NON E SERIES	1

UG5000W & UG5000WS

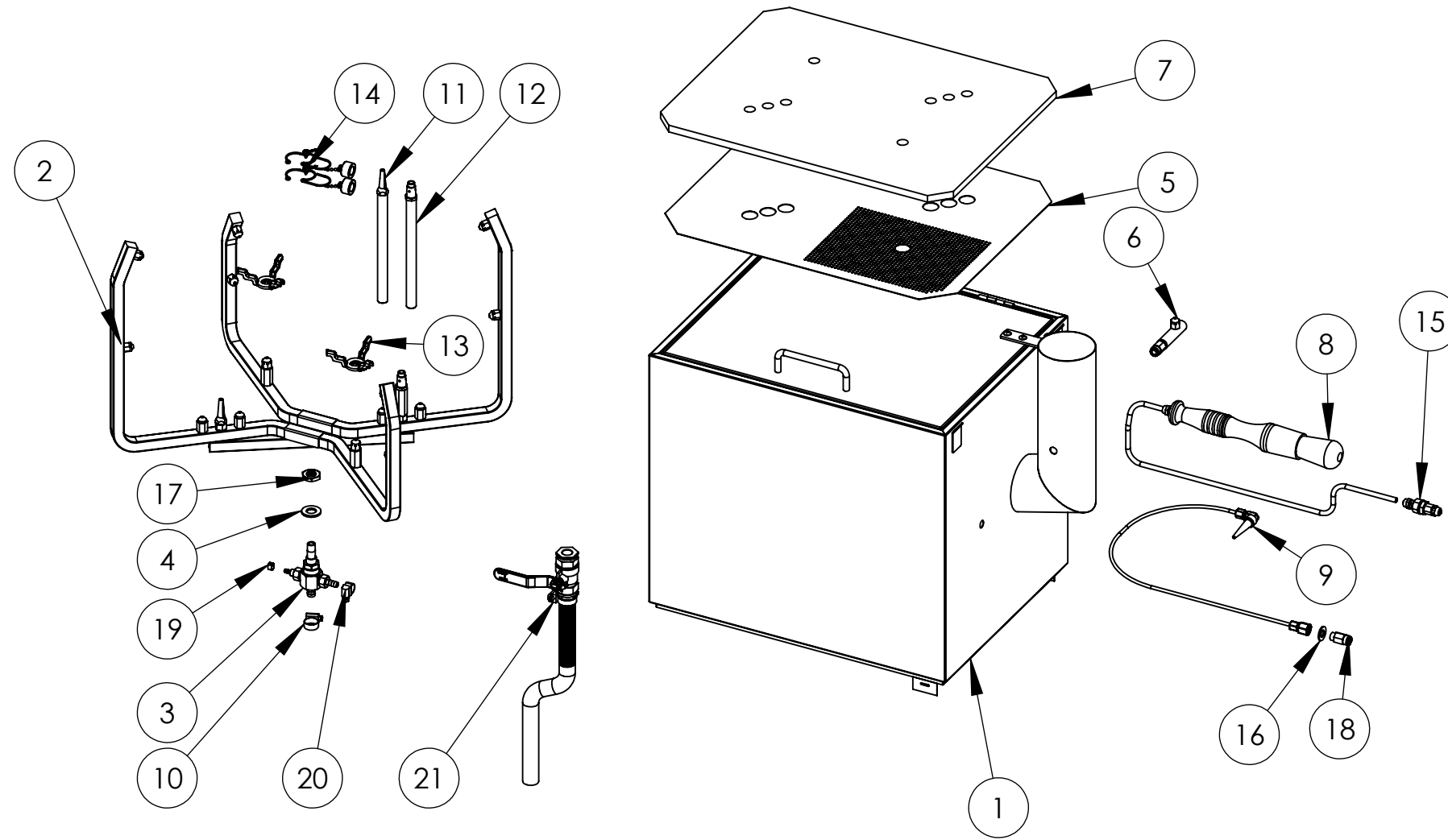
UNI-RAM CORPORATION
REV. FEB-2017



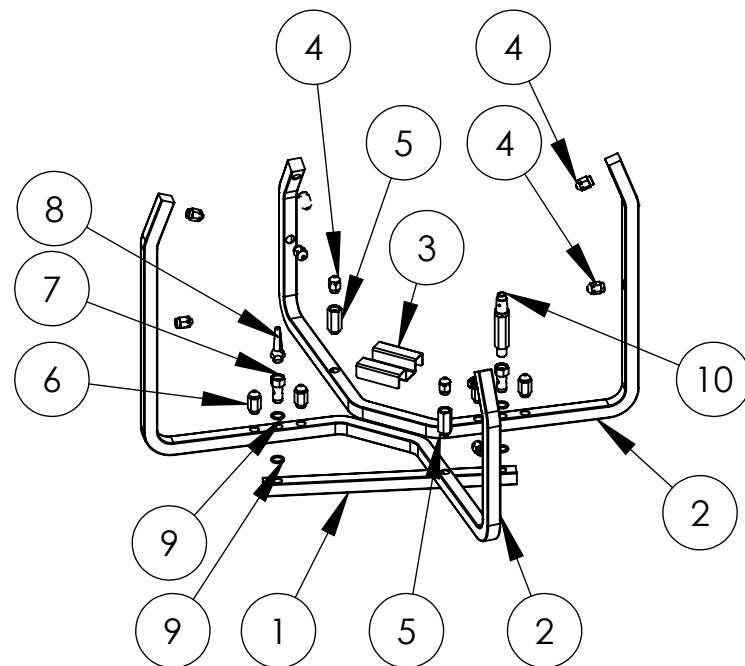
BOM Table of 150-6000			
ITEM NO.	PartNo	DESCRIPTION	QTY.
1	150-600S	S.S. CABINET, WITH DOORS AND LEGS, FOR UG5000WS	1
	150-600	YELLOW PAINT CABINET, WITH DOORS AND LEGS, FOR UG5000W	
2	120-020PR	AIR PRESSURE REGULATOR, SET TO 85 PSI	1
3	102-3561	AIR RESTRICTOR SUB-ASSY	1
4	QCF14H5PT	Push-to-Connect 1/4" OD TUBE, 5 PORTS	1
5	QCTEE14	QC FITTING TEE, FOR 6MM OD HOSE	2
6	102-3022F	BRUSH HOLDER	1
10	102-3990	QUICK COUPLER, 1/4" BODY, WITH 6MM QC	1
11	100-835	GROUND WIRE ASSY, 18GA., 4FT, GREEN,	1
12	240-7510	FOOT PEDAL, HEAVY DUTY DUAL DIAPHRAGM PUMP, 4", DELRIN BODY, TEFLON DISC, B/M INCL	2
14	UDP4TA		1
17	150-6210	DRAIN VALVE ADJUST HANDLE SUB-ASSY	1
18	320-3253	CARRYING HANDLE	2
19	110-261	HOSE CLAMP, #5, S.S. FOR 11/16" OD, 10mm, TO 16mm.	3
20	102-3950A	AIR FLOW CONTROL ASSEMBLY, 6MM TUBE	1
39	150-8350	SUCTION TUBE 10MM OD WELDED WITH NUT, FOR UG5000W	1
40	URP100S	RINSE PUMP, 100CC	1
41	103-271	SUCTION TUBE, 6MM OD X 12" LG	1
42	100-255	Single Pinch HOSE CLAMP, 9.5MM	2
43	100-8335	GROUND WIRE ASSY, 14GA, 36" LG, GREEN,	2
45	100-261S	HOSE CLAMP, #4, S.S.	1
46	100-252	HOSE CLAMP, 7mm, 1-EAR 9/32	1
47	102-835A	SUCTION PIPE, 1/4" ODX 0.035" WALL	1
48	RBH14X12TR	HOSE, THINNER-RESIST, 1/4" ID X 1/2" OD, 28" LG	1
49	RBH38X1116	HOSE, THINNER-RESIST, 3/8" ID X 11/16" OD, 21" LG	1
50	RBH38X1116	HOSE, THINNER-RESIST, 3/8" ID X 11/16" OD, 36" LG	1
51	102-7010	AIR BLOW GUN ASSY. WITH FITTING	1
52	102-7020	WASH GUN ASSY. WITH FITTING AND TUBE	1



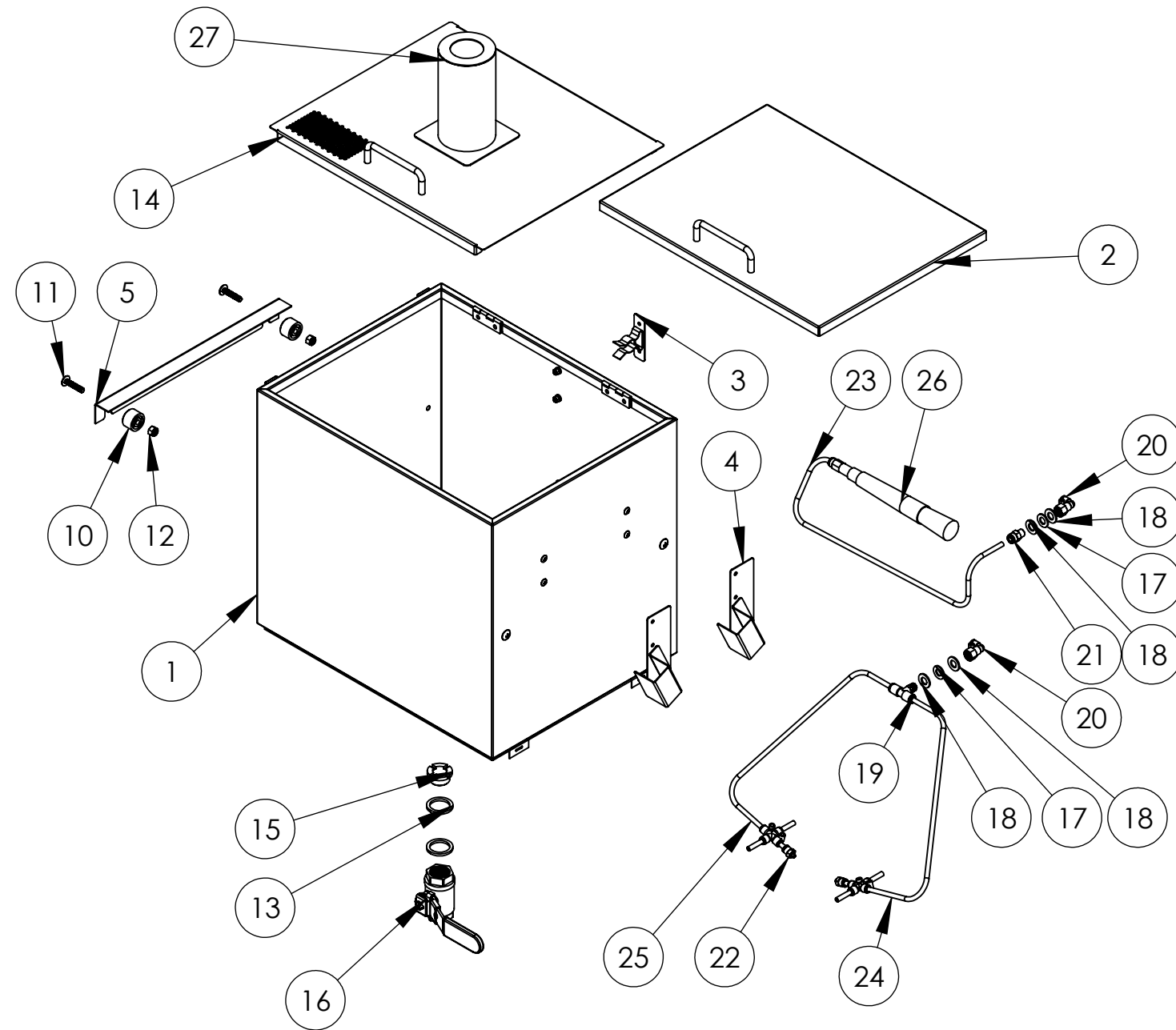
BOM Table of 150-4000WA			
ITEM NO.	PartNo	DESCRIPTION	QTY.
1	150-4110A	CENTER BOX WELDED FOR UG5000W	1
2	140-4112W	TOP COVER, FOR CENTER BOX	1
3	115-200	MECH.TIMER ASSY,MANUAL, 5 MINUTES	2
4	140-731F	PUSH BUTTOM, RINSE	2
5	115-400BF	RINSE VALVE ASSY,2-WAY,BIG	2
6	170-512S	Machine Screw Nut,5/16-24,SS	2
7	99-611S	WASHER,SS FOR 5/16 SCREW,	2
8	114-800V	LID SWITCH ASSY, 4-WAY,3-OUT	1
11	102-6260	BALL VALVE ASSY	1
12	SSM410BR	M4X10 TRUSS HEAD PHILIPS,S,S	12
13	UDP2TAB	2" DIA-PUMP, TEFLON BALL, WITH 8MM INLET AND 6MM OUTLET FITTINGS	2
15	780-4610	BALL VALVE ASSEMBLY,1/4", WITH BRACKET	1
16	150-3780	LIQUID FLOW CONTROL ASSEMBLY, 6MM TUBE	3
17	QCTEE14	QC FITTING TEE, FOR 6MM OD HOSE	3
33	NYT4X6	SOFT NYLON TUBE, 6MMOD X 4MM ID, 34"LG	1
34	NYT6X8	SUPER FOFT NYLON, 6MM ID X 8MM OD, 36" LG	1
35	NYT4X6	SOFT NYLON TUBE, 6MMOD X 4MM ID, 36"LG	1
36	NYT4X6	SOFT NYLON TUBE, 6MMOD X 4MM ID, 36"LG	1
37	NYT4X6	SOFT NYLON TUBE, 6MMOD X 4MM ID, 14"LG	1
38	NYT4X6	SOFT NYLON TUBE, 6MMOD X 4MM ID, 36"LG	1
39	NYT4X6	SOFT NYLON TUBE, 6MMOD X 4MM ID, 93"LG	1
40	NYT4X6	SOFT NYLON TUBE, 6MMOD X 4MM ID, 20"LG	1
41	NYT4X6	SOFT NYLON TUBE, 6MMOD X 4MM ID, 29"LG	1
42	NYT6X8	SUPER FOFT NYLON, 6MM ID X 8MM OD, 40" LG	1



BOM Table of 150-2200			
ITEM NO.	PartNo	DESCRIPTION	QTY.
1	140-300N	UG4000 TANK	1
2	140-360S	DELIVERY S.S TUBE ASSY	1
3	150-400W	COMBINATION VALVE ASSY, FOR UG5000	1
4	110-465	NYLON WASHER 25.4*13.35	1
5	100-332N	FLAME RETARDING SCREEN	1
6	36-110J	AIR VENTURI AND SUPPORT	1
7	FP6500-1	FILTER PAD	1
8	144-390S	MANUAL BRUSH WITH COMPRESS FITTING,6MM, FOR SOLVENT	1
9	140-230	AIR PURGE KIT, SPRAY GUN	1
10	110-261	HOSE CLAMP, #5, S.S.FOR 11/16"OD, 10mm. TO 16mm.	1
11	110-430	TAPER NOZZLE ADAPTER, ALM. TUBE, 6.5" LG	1
12	110-430PPS	NOZZLE ADAPTER FOR PPS, ALM. TUBE, 6.5" LG	1
13	100-413F	CUP HOLDER	2
14	140-2340	TWO SETS KIT-PLUG, INCL.TWO 140-2341	1
15	110-470	FITTING SUB-ASSY TO MANUAL BRUSH	1
16	780-4651	WASHER,NYLON,0.750"ODx0.390"IDX.062"T	1
17	100-463	BRASS NUT, UNION ADAPTOR, 1/4" NPS	1
18	QCF1418L	QUICK CONNECTOR 1/4"OD TUBE X 1/8" NPT, LONG	1
19	100-252	HOSE CLAMP,7mm,1-EAR 9/32	1
20	100-261S	HOSE CLAMP, #4,S.S	1
21	140-480	DRAIN VALVE WITH FITTINGS AND HOSE SUB-ASSY	1

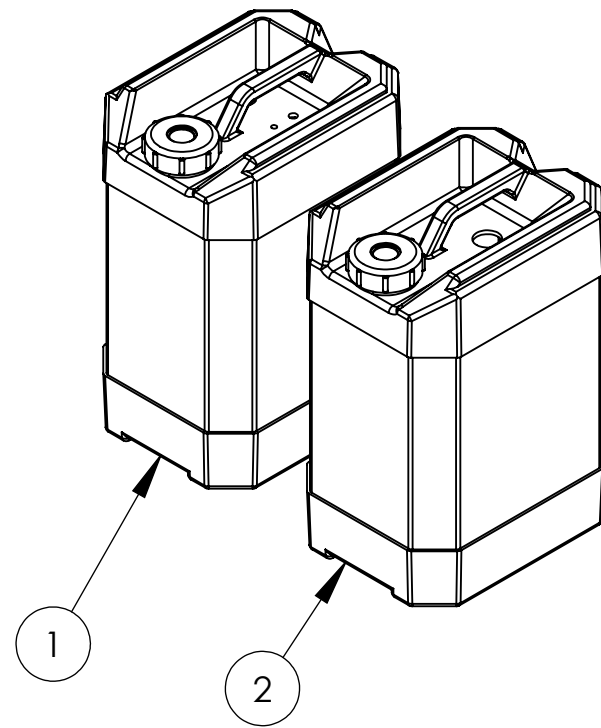


BOM Table of 140-360S			
ITEM NO.	PartNo	DESCRIPTION	QTY.
1	140-371S	SS BLANCE TUBE	1
2	110-363S	SS DELIVERY TUBE	2
3	110-351S	SS CENTRE BRACKET, FOR DELIVERY TUBE	1
4	100-350N	SPRAY JET ASSY,BRASS	10
5	100-459	EXTENSION ADAPTER, JET	2
6	100-350L	SPARY JET ASSY,	4
7	100-457	CONNECTOR CROSS BAR	2
8	110-356	GUN CLEANER NOZZLE,BRASS	1
9	99-612P	FLAT WASHER PE, 0.405"IDX0.550"ODX0.045"T	4
10	780-3530	NOZZLE SUB ASSEMBLY, 3M PPS ADAPTOR	1



BOM Table of 150-2100			
ITEM NO.	PartNo	DESCRIPTION	QTY.
1	150-3010	WATER TANK WELDED ASSEMBLY	1
2	102-320F	LID ASSEMBLY	1
3	102-3022F	BRUSH HOLDER	1
4	102-3028	BRACKET GUN HOLDER,	2
5	102-3012	SCREEN SUPPORT	2
6	SSM410BR	M4X10,TRUSS HEAD PHILIPS,S.S	6
7	SSFWM4	WASHER M4	6
8	ZFWM4	NYLON FLAT WASHER,M4	6
9	SSLNM4	Nylon-Insert Hex Locknut M4,SS	6
10	102-3014	SUPPORT WHEEL	4
11	99-406DTS125	1/4"-20 X 1.25L Truss Head SCREW	4
12	99-523S	Nylon-Insert Hex Locknut 1/4-20 S.S	4
13	102-3023F	NYLON WASHER, 1.062" ID X 1.375" OD X 0.125"T	2
14	102-3030	WASH SCREEN WITH HANDLE	1
15	102-3021F	THREADED BUSHING, FOR 3/4" BALL VALVE	1
16	46-810BB	3/4" BALL VALVE, BRASS BODY, BRASS BALL-CHROME/NICKEL PLATED	1
17	780-4651	WASHER, NYLON, 0.750" OD X 0.390" ID X 0.062" T	2
18	SSFWM10	FLAT WASHER M10 SS	4
19	QCTEE1418	PUSH-TO-CONNECT TEE, 1/8" MALE NPTX 6MM OD TUBE	1
20	QCFF901418	Push-to-Connect elbow, 1/8" FEMALE NPT X 6MM OD TUBE	2
21	QCF14R18	QUICK CONNECTOR 1/4" OD TUBE X 1/8" NPT	1
22	102-3580	AIR AGITATION ASSEMBLY	2
23	NYT4X6	SOFT NYLON TUBE, 6MM OD X 4MM ID, 26" LG	1
24	NYT4X6	SOFT NYLON TUBE, 6MM OD X 4MM ID, 17" LG	1
25	NYT4X6	SOFT NYLON TUBE, 6MM OD X 4MM ID, 17" LG	1
26	780-390W	MANUAL BRUSH WITH QC FITTING, 6MM, FOR WATER	1
27	102-3050	TUBE SUB-ASSY	1

BOM Table of 150-8000RT			
ITEM NO.	PartNo	DESCRIPTION	QTY.
1	150-8111RT	WASH PAIL, HDPE, RETANGLULAR, 20L=5GALLON, W/CAP, W/ SUCTION HOLES AND DRAIN HOLE	1
2	150-8114RT	PINSE PAIL, HDPE RETANGLULAR ,20L=5GALLON, W/CAP, W/RINSE PUMP HOLE	1



BOM Table of 102-8100			
ITEM NO.	PartNo	DESCRIPTION	QTY.
1	102-8111P	WHITE BUCKET W HANDLE, HDPE, 5 US GAL, TOP OPEN, W/O LID	1
2	102-8120	FILTER TUBE	1
3	102-8126	FILTER BAG, SECONDARY, 25μ, FELT	1
4	102-8125	FILTER BAG, PRIMARY, 400μ, MESH	1

